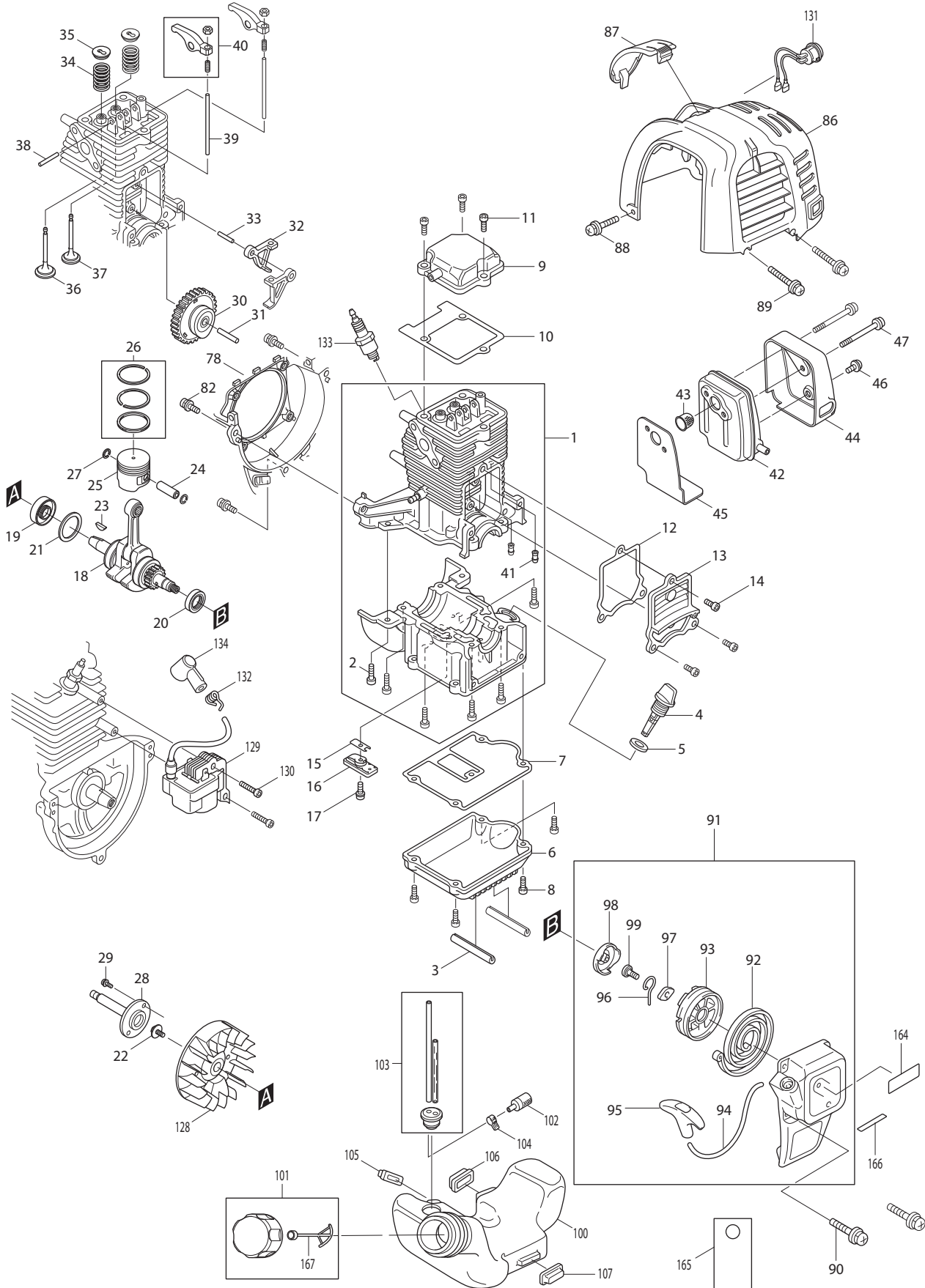
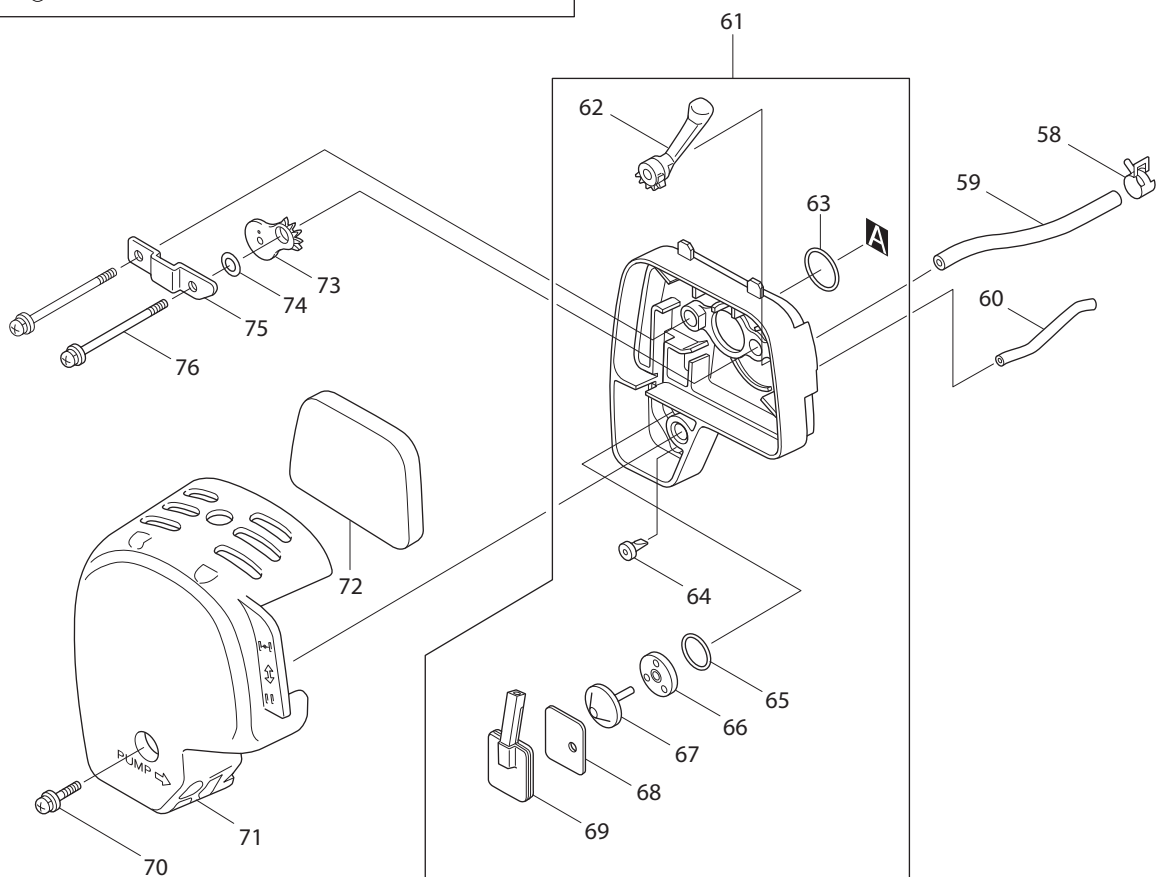
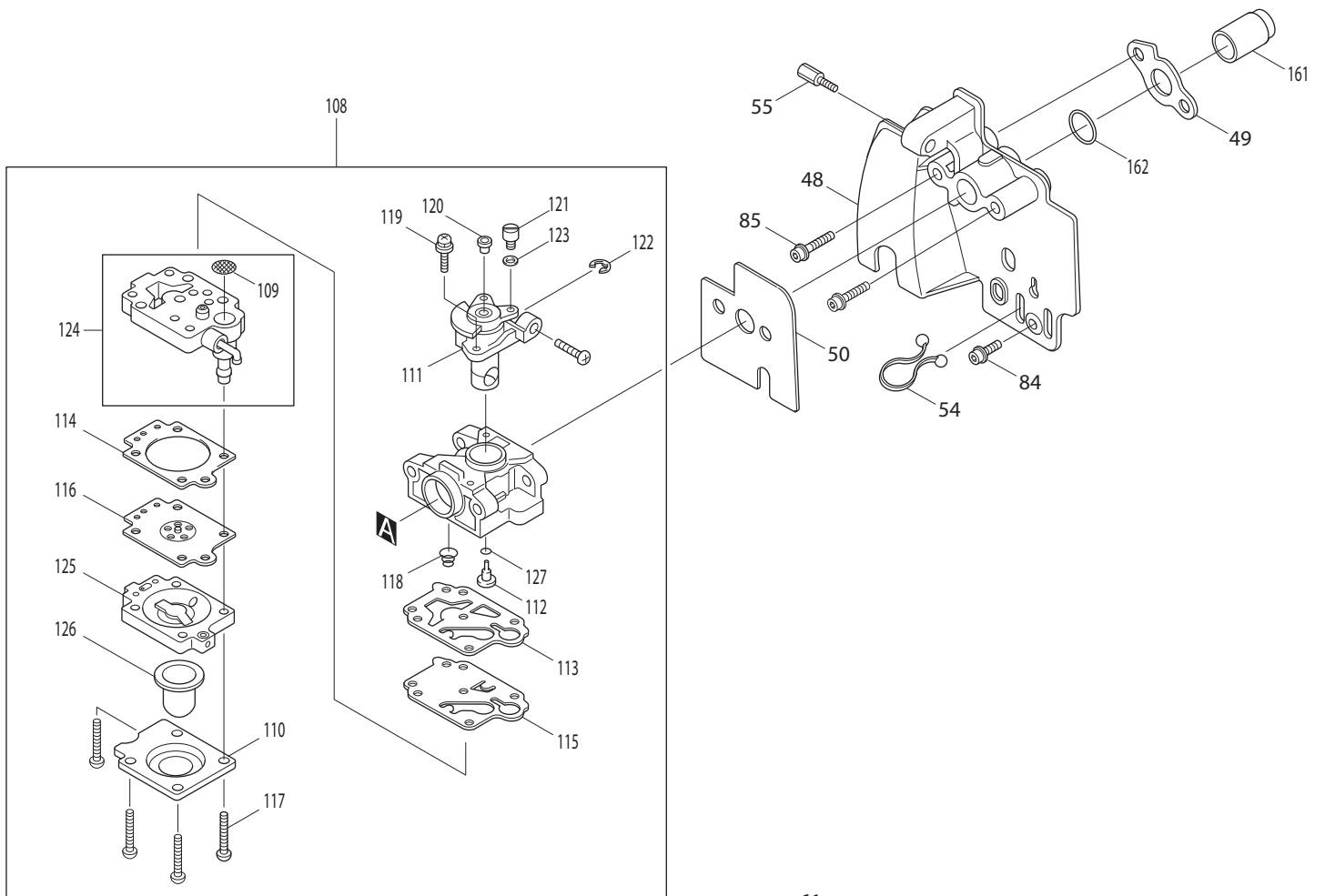
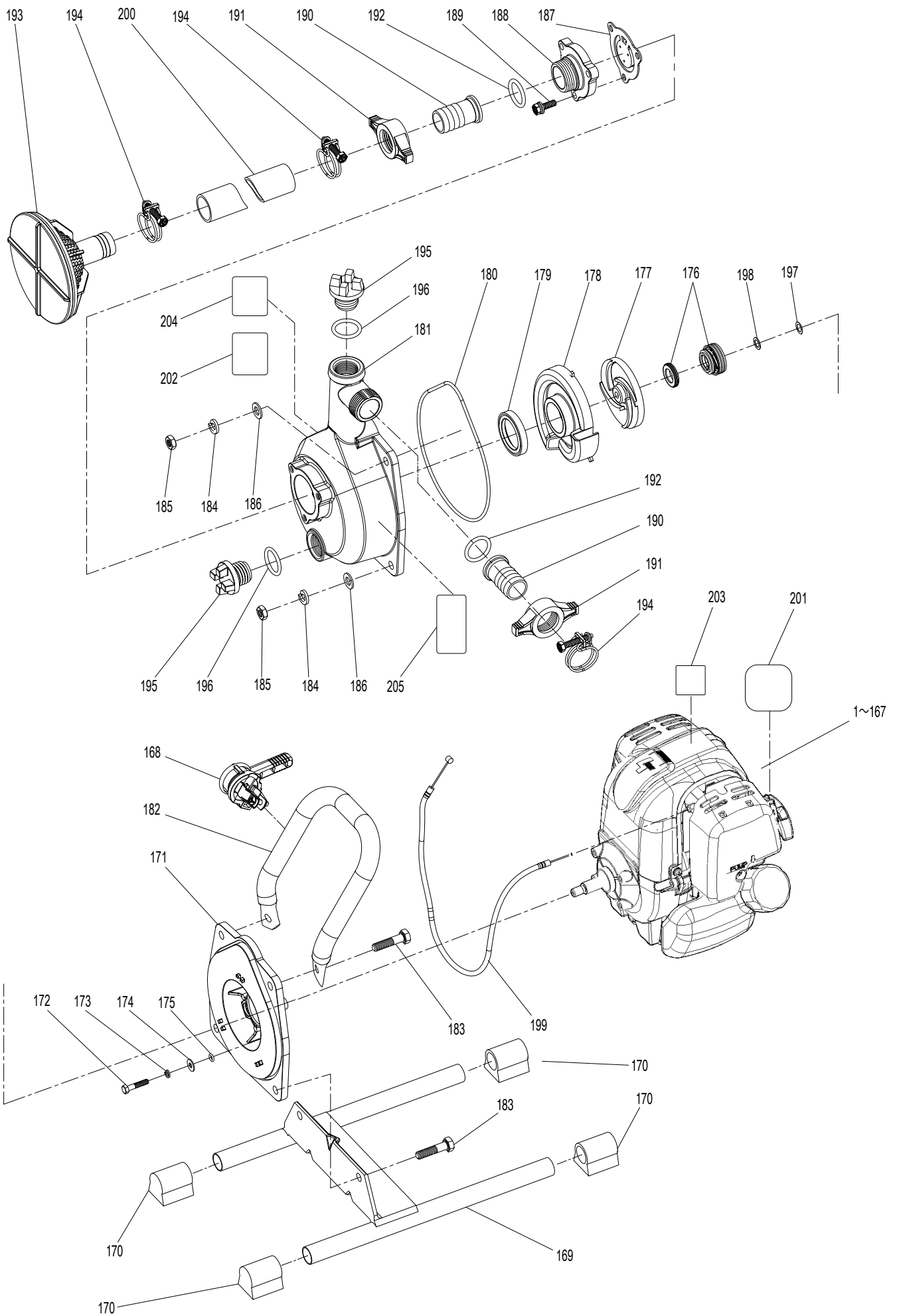




04 - 2013  
EW1050H  
24.5CC ENGINE PUMP 1"







3 MODEL EW1050H

Item No	Type	Ref	Part No	Description	Qty	Unit
001			135562-0	CYLINDER BLOCK ASSEMBLY	1	PC.
		INC.		Item No. 2,41		
002			922217-4	HEX. SOCKET HEAD BOLT M5X14	8	PC.
003			424530-1	OIL CASE GUARD	2	PC.
004			450565-6	OIL GAUGE	1	PC.
005			424100-6	GASKET	1	PC.
006			318442-7	OIL CASE	1	PC.
007			162276-8	CASE GASKET	1	PC.
008			922217-4	HEX. SOCKET HEAD BOLT M5X14	4	PC.
009	1		140023-7	ROCKER COVER COMPLETE	1	PC.
	2		140B46-7	ROCKER COVER COMPLETE	1	PC.
010			162275-0	ROCKER COVER GASKET	1	PC.
011			922222-1	HEX. SOCKET HEAD BOLT M5X16	3	PC.
012			162274-2	CAM GEAR COVER GASKET	1	PC.
013			318443-5	CAM GEAR COVER	1	PC.
014			922217-4	HEX. SOCKET HEAD BOLT M5X14	3	PC.
015			346083-9	LEAD VALVE	1	PC.
016			318440-1	RETAINER PLATE	1	PC.
017	2		922112-8	* HEX. SOCKET HEAD BOLT M4X10	1	PC.
018			126299-0	CRANK SHAFT ASSEMBLY	1	PC.
019	2		213089-1	OIL SEAL 12	1	PC.
020	2		213769-9	OIL SEAL 10	1	PC.
021			267400-9	FLAT WASHER 23	1	PC.
022			265577-4	HEX HEAD BOLT M6X16	1	PC.
023			254040-2	WOODRUFF KEY 3	1	PC.
024			257781-9	PISTON PIN	1	PC.
025			318441-9	PISTON	1	PC.
026	2		196595-0	PISTON RING SET	1	PC.
027			233976-8	CLIP	2	PC.
028			326223-5	SHAFT	1	PC.
029			911323-0	PAN HEAD SCREW M6X16	2	PC.
030			125552-1	CAM GEAR ASSEMBLY	1	PC.
031			268238-5	PIN 5	1	PC.
032			313169-4	CAM LIFTER	2	PC.
033			268239-3	PIN 4	1	PC.
034			234108-0	COMPRESSION SPRING 9	2	PC.
035			325668-4	SPRING RETAINER	2	PC.
036	2		326367-1	INTAKE VALVE	1	PC.
037	2		326366-3	EXHAUST VALVE	1	PC.
038			256200-2	PIN 5	1	PC.
039			256865-0	ROD 2.5	2	PC.
040			125554-7	ROCKER ARM ASSEMBLY	2	PC.
041			424200-2	SPACER	2	PC.
042			168469-5	EXHAUST MUFFLER	1	PC.
043			324980-9	SPARK ARRESTER	1	PC.
044			345915-7	MUFFLER COVER	1	PC.
045			345916-5	MUFFLER GASKET	1	PC.
046			265184-3	+TRUSS HEAD SCREW M5X5	1	PC.
047			266440-4	HEX SOCKET HEAD BOLT M5X40	2	PC.
048			450559-1	INSULATOR	1	PC.
049			413120-5	INSULATOR GASKET	1	PC.
050			413121-3	CARBURETOR GASKET	1	PC.
054			450562-2	CLAMP	1	PC.
055			325934-9	ADJUST SCREW	1	PC.
058			345918-1	HOSE CLAMP	1	PC.
059			422041-0	BREATHER PIPE	1	PC.
060			422042-8	PIPE	1	PC.

Item No	Type	Ref	Part No	Description	Qty	Unit
061			125468-0	CLEANER PLATE ASSEMBLY	1	PC.
		INC.		ITEM 62-69		
062			451925-5	CHOKE LEVER	1	PC.
063			213540-1	O RING 15	1	PC.
064			424316-3	CHECK VALVE	1	PC.
065			213539-6	O RING 14	1	PC.
066			451924-7	CHECK VALVE PLATE	1	PC.
067			424315-5	CHECK VALVE	1	PC.
068			168577-2	SEPARATOR GASKET	1	PC.
069			168576-4	SEPARATOR PLATE	1	PC.
070			911218-7	PAN HEAD SCREW M5X14	1	PC.
071			450561-4	AIR CLEANER COVER	1	PC.
072			443141-3	AIR CLEANER ELEMENT	1	PC.
073			450560-6	CHOKE PLATE	1	PC.
074			423376-2	GASKET	1	PC.
075			345919-9	PLATE	1	PC.
076			265188-5	+PAN HEAD SCREW M5X68	2	PC.
078			141766-4	BLOWER HOUSING COMPLETE	1	PC.
082			922223-9	H.S.H.BOLT M5X16 WITH WR	3	PC.
084			922213-2	H.S.H.BOLT M5X12 WITH WR	1	PC.
085			922228-9	H.S.H.BOLT M5X18 WITH WR	2	PC.
086			450564-8	CYLINDER COVER	1	PC.
087			452144-6	PLUG COVER	1	PC.
088			911213-7	PAN HEAD SCREW M5X12	2	PC.
089			911128-8	PAN HEAD SCREW M4X16	2	PC.
090			911128-8	PAN HEAD SCREW M4X16	2	PC.
091			195146-6	RECOIL STARTER SET	1	PC.
		INC.		ITEM 92-99		
092			232258-5	SPIRAL SPRING	1	PC.
093			451937-8	REEL	1	PC.
094			444019-3	STARTER ROPE DIA.2.8MM X 0.85M	1	PC.
095			424319-7	STARTER KNOB	1	PC.
096			325923-4	SWING ARM	1	PC.
097			451938-6	COLLAR	1	PC.
098			168483-1	PULLEY	1	PC.
099			266585-8	TAPPING SCREW 5X12	1	PC.
100	2		123417-1	* FUEL TANK ASSEMBLY	1	PC.
		INC.		* Item No. 101-104		
101			125472-9	FUEL TANK CAP ASSEMBLY	1	PC.
		INC.		ITEM 167		
102	2		163447-0	FUEL FILTER	1	PC.
103			168770-8	TUBE COMPLETE	1	PC.
104			345920-4	HOSE CLAMP	1	PC.
105			424102-2	PLATE	1	PC.
106			424103-0	PLATE	1	PC.
107			424104-8	DAMPER	1	PC.
108			168781-3	CARBURETOR	1	PC.
108		INC.		ITEM 110,113-119,121-127		
109	2		WJ00014070	INLET SCREEN	1	PC.
110			346270-0	PRIMER PUMP COVER	1	PC.
113			442155-9	PUMP GASKET	1	PC.
114			442154-1	METERING DIAPHRAGM GASKET	1	PC.
115	2		WJ00009599	PUMP DIAPHRAGM	1	PC.
116	3		WJ000095586	METERING DIAPHRAGM - Use Old# 168574-8 First	1	PC.
117			266582-4	TAPPING SCREW 3X24	4	PC.
118			234183-6	CONICAL COMPRESSION SPRING 5-9	1	PC.
119	1		266581-6	PAN HEAD SCREW M3X8 WITH W	2	PC.

Item No	Type	Ref	Part No	Description	Qty	Unit
		2	WJ00096364	SCREW M3X8 WITH WASHER	2	PC.
121			325922-6	SWIVEL	1	PC.
122			257964-1	STOP RING E-3	1	PC.
123			413140-9	WASHER	1	PC.
124			140437-0	PUMP BODY	1	PC.
125			140438-8	AIR PURGE BODY	1	PC.
126			424314-7	PRIMER PUMP	1	PC.
127			213538-8	O RING 2	1	PC.
128	1		318702-7	FLYWHEEL	1	PC.
	2		319205-4	FLYWHEEL	1	PC.
129	2		168816-0	* IGNITION COIL	1	PC.
130			266602-4	HEX. SOCKET HEAD BOLT M4X20	2	PC.
131	2		141794-9	* STOP SWITCH COMPLETE	1	PC.
132			324891-8	PLUG CAP SPRING	1	PC.
133			0650109950	SPARK PLUG	1	PC.
134			424105-6	PLUG CAP	1	PC.
161			324961-3	INTAKE PIPE	1	PC.
162			213078-6	O-RING 10	1	PC.
163			424201-0	CHECK VALVE	2	PC.
164			808720-8	GAS EMISSION APPROVAL LABEL (N/L/A for Repair)	1	PC.
165			819432-8	CAUTION TAG (10 LANGUAGES)	1	PC.
166			897794-4	SERIAL NO. LABEL	1	PC.
167			140436-2	STRAP COMPLETE	1	PC.
168			ME08121070	REFUELING HANDLE GROUP	1	PC.
169			ME00204835	SHELF GROUP	1	PC.
170			ME01676311	RUBBER FEET	4	PC.
171			ME08121002	PUMP FRAME	1	PC.
172			ME01676313	HEXAGON BOLT	4	PC.
173			ME00200115	WAD	4	PC.
174			ME01676314	GASKET	4	PC.
175			ME01676315	O-RING	4	PC.
176			ME00200486	MECHANICAL OIL SEAL	1	PC.
177			ME08121003	IMPELLER	1	PC.
178			ME08121004	VOLUTE	1	PC.
179			ME01676319	SEAL RING	1	PC.
180			ME01676320	O-RING	1	PC.
181			ME08121005	PUMP CASING	1	PC.
182			ME08121006	HANDLE	1	PC.
183			ME00200116	HEXAGON BOLT	4	PC.
184			ME00200117	WAD	4	PC.
185			ME01676323	HEXAGON NUT	4	PC.
186			ME00200091	FLAT GASKET	4	PC.
187			ME08121007	VALVE	1	PC.
188			ME08121008	TUBE JOINT BOLT	1	PC.
189			ME00200011	HEXAGON BOLT	3	PC.
190			ME01676327	TUBE JOINT CORE	2	PC.
191			ME08121009	LOCK NUT	2	PC.
192			ME08121044	SEAL RING	2	PC.
193			ME01689268	STRAINER GROUP	1	PC.
194			ME01676330	HOOP (HOSE CLAMP)	3	PC.
195			ME01676331	WATER BLOCK	2	PC.
196			ME01676329	O-RING	2	PC.
197			ME01676333	GASKET	1	PC.
198			ME01676334	GASKET	1	PC.
199			ME08121010	REFUELING WINDING	1	PC.
200			ME01676336	SUCTION PIPE	1	PC.
201			ME08121001	NOTE LABEL	1	PC.
202			ME08121012	NOTE LABEL	1	PC.

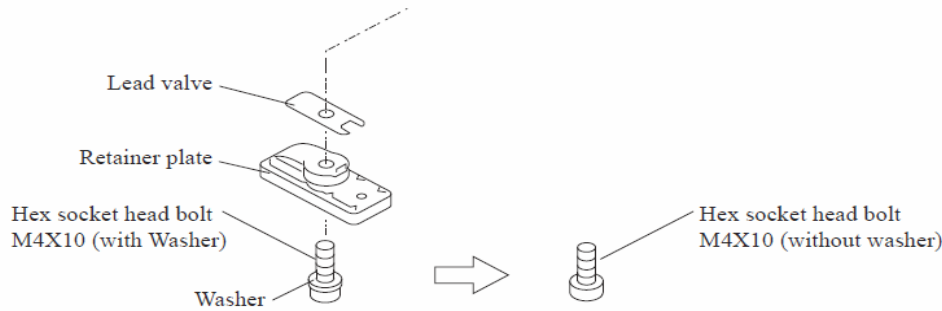
Item No	Type	Ref	Part No	Description	Qty	Unit
203			ME08121030	NOTE LABEL	1	PC.
204			ME08121035	NOTE LABEL	1	PC.
205			ME03333192	NOTE LABEL	1	PC.
206			632B57-1	* LEAD UNIT (Added)	1	PC.
<b><u>ACCESSORIES</u></b>		<b>- See Catalogue or visit <a href="http://www.makita.ca">www.makita.ca</a> for more accessories -</b>				
A01			ME08121017	SOCKET WRENCH	1	PC.
A02			ME08121040	RAPID JOINT (COUPLING) 2/SE	1	SET
	INC.			Item No. A03,A04		
A03			ME08121044	SEAL RING	2	PC.
A04			ME08121045	SEAL RING	2	PC.
A05			ME08121051	JOINT CORE	1	PC.
	INC.			Item No. A06, A07		
A06			ME08121052	CONNECTOR NUT	1	PC.
A07			ME08121044	SEAL RING	1	PC.
A08			ME08121053	HOOP (HOSE CLAMP)	1	PC.
A09			ME08122060	THE PIPE GROUP (HOSE, 8M)	1	PC.
	INC.			Item No. A10,A11		
A10			ME08121044	SEAL RING	1	PC.
A11			ME08122068	O-RING	1	PC.
A16			ME08121060	CROSS-OVER SUB	1	PC.
A17			ME08121044	SEAL RING	1	PC.
A18			ME08121080	OILER (OIL BOTTLE)	1	PC.
A20			123048-A	SUCTION HOSE 1"X20'	1	PC.
A21			123049-A	DISCHARGE HOSE 1"X25'	1	PC.
A22			128049-A	DISCHARGE HOSE 1"X50'	1	PC.

**SERVICE CHANGES**

**1. Change on Hex Socket Head Bolt**

(TI#A0495)

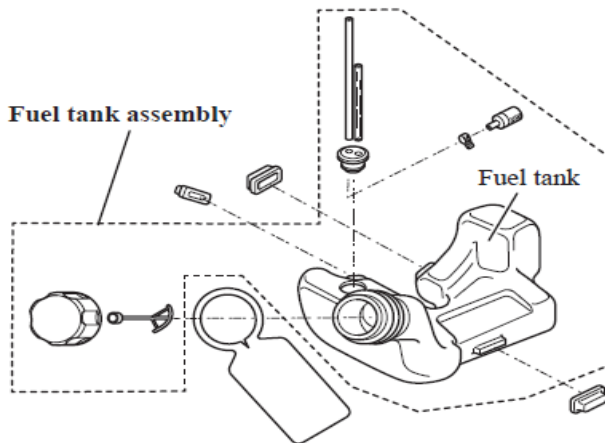
Item No.	Description	Type 1	Type 2
17	Hex Socket Head Bolt M4X10	922111-0	922112-8



**2. Changes on Fuel Tank**

(TI#A7689)

Item No.	Description	Type 1	Type 2
100	Fuel Tank >> Fuel Tank Assembly	454004-8	123417-1
Inc.		-----	Item No. 101-104



**3. Changes on Ignition coil and Stop switch assembly**

(TI#Y07354)

Item No.	Description	Type 1	Type 2
129	Ignition Coil	168501-5	168816-0
131	Stop Switch assembly >>> Stop Switch Complete	126240-3	141794-9
206	Lead Unit	-----	632B57-1

Above parts are completely interchangeable as a set

- Note:**
- Terminals of Ignition coil will be changed as shown below.
  - Stop switch complete does not include two Lead units,

